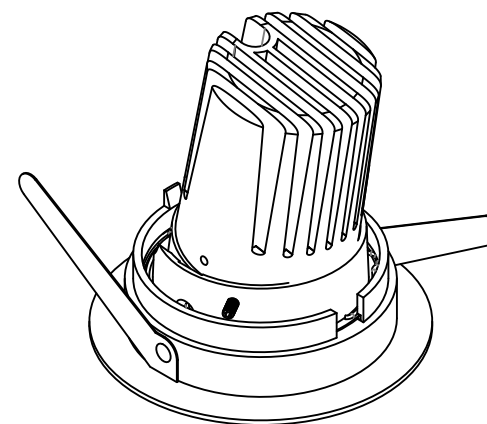
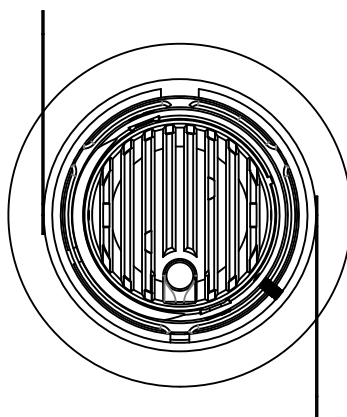
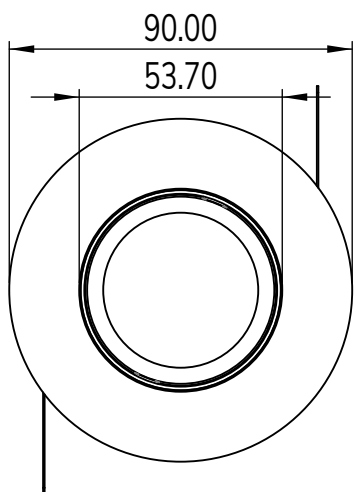


TILT = 30°  
ROTATION = 355°



Cutout  
76mm